



ISO9001:2008

## LFFPBVC SERIES

Lead Free, Full Port Brass Ball Valves Solder End

### FEATURES

- Lead Free and dezincification resistant (DZR) material
- Valves Conforms to MSS SP-110.
- Solder-Joint conform ASME B16.22
- Construction: Forging Brass Body
- PTFE Ball Seats
- Blow Out Proof Brass Stem
- Stainless Steel Ball
- Steel Handle w/Vinyl Grip



### PERFORMANCE RATING

- 600 psi (WOG) 150 psi (WSP) Service
- Temperature Range : -40° F to 365° F

### DIMENSIONS

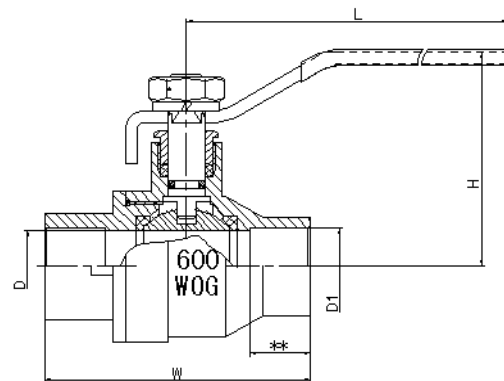
Part No.	SIZE	D	L	H	W	D1	**	Wt.(lbs.)
LFFPBVC1/2	1/2	0.591	3.46	1.81	2.17	0.63	0.504	0.401
LFFPBVC3/4	3/4	0.748	4.29	2.09	2.81	0.878	0.748	0.664
LFFPBVC1	1	0.984	4.29	2.25	3.34	1.13	0.909	1.032
LFFPBVC1-1/4	1-1/4	1.259	5.63	2.52	3.91	1.378	0.972	1.545
LFFPBVC1-1/2	1 1/2	1.574	5.63	2.74	4.46	1.63	1.091	2.22
LFFPBVC2	2	1.949	5.63	3.03	5.45	2.13	1.343	3.492
LFFPBVC2-1/2	2 1/2	2.520	7.76	4.25	6.42	2.63	1.484	6.869
LFFPBVC3	3	2.894	8.19	4.58	7.15	3.13	1.669	9.032
LFFPBVC4	4	3.839	9.25	5.49	9.57	4.13	2.232	18.096

### MATERIAL

Name	Material
Ball Valve Body	Lrad Free Brass
Sealing Washer	PTFE
Ball	SS304
Body O-Ring	FKM
Packing Nut	Brass
Stem	Brass (1/4"-2") SS304(2-1/2"-4")
Stem O-Ring	NBR
Handle Nut	Zinc Plated Carbon Stee
Lock Washer	Zinc Plated Carbon Stee
Ball Packing	PTFE
Locking Handle	Zinc Plated Carbon Stee
Ball Valve Cap	Lrad Free Brass

### APPROVALS

- UL:**
- 1/4"-2" UL 842 (Guide YRPY YRBX MHKZ )125psig
  - 1/4"-2" UL 125 (Guide YSDT )125psig
- FM:**
- 1/4"-2" per FM1140 for 600psig
- IAPMO:**
- 1/4"-4" per NSF/ANSI-61, NSF/ANSI-372 ,IGC-157
- CSA:**
- 1/4"-4" per NSF/ANSI-61, NSF/ANSI-372 ,IGC-157





ISO9001:2008

## LFFPBVT SERIES

Lead Free, Full Port Brass Ball Valves Female x Female

### FEATURES

- Lead Free and dezincification resistant (DZR) material
- Valves Conforms to MSS SP-110.
- Thread conform ANSI B1.20.1
- Construction: Forging Brass Body
- PTFE Ball Seats
- Blow Out Proof Brass Stem
- Stainless Steel Ball
- Steel Handle w/Vinyl Grip



### PERFORMANCE RATING

- 600 psi (WOG) 150 psi (WSP) Service
- Temperature Range : -40° F to 365° F

### DIMENSIONS

Part No.	SIZE	D	L	H	W	Wt.(lbs.)
LFFPBVT1/4	1/4	0.394	3.46	1.68	1.73	0.31
LFFPBVT3/8	3/8	0.394	3.46	1.68	1.73	0.3
LFFPBVT1/2	1/2	0.591	3.46	1.81	2.24	0.45
LFFPBVT3/4	3/4	0.748	4.29	2.09	2.52	0.72
LFFPBVT1	1	0.984	4.29	2.25	2.97	1.111
LFFPBVT1-1/4	1-1/4	1.259	5.63	2.52	3.44	1.71
LFFPBVT1-1/2	1 1/2	1.574	5.63	2.74	3.88	2.36
LFFPBVT2	2	1.949	5.63	3.03	4.29	3.2
LFFPBVT2-1/2	2 1/2	2.520	7.76	4.25	5.53	7.42
LFFPBVT3	3	2.894	8.19	4.58	6.14	10.1
LFFPBVT4	4	3.839	9.25	5.49	7.79	19.61

### MATERIAL

Name	Material
Ball Valve Body	Lrad Free Brass
Sealing Washer	PTFE
Ball	SS304
O-Ring	NBR
Packing Nut	Brass
Stem	Brass (1/4"-2") SS304(2-1/2"-4")
Handle Nut	Zinc Plated Carbon Stee
Lock Washer	Zinc Plated Carbon Stee
Ball Packing	PTFE
Locking Handle	Zinc Plated Carbon Stee
Ball Valve Cap	Lrad Free Brass

### APPROVALS

- CSA:**
- 1/4"-4" per ANSI Z21.15/CSA 9.1 for 1/2 psig
  - 1/4"-4" per ASME B16.44 /CR91-001 for 5 psig
  - 1/2"-2" per ASME B16.33 /CGA3.16 for 125 psig
  - 2 1/2"-4" per ASME B16.38 /CGA3.16 for 125 psig
- UL:**
- 1/4"-2" UL 842 (Guide YRPY YRBX MHKZ )125psig
  - 1/4"-2" UL 125 (Guide YSDT )125psig
- FM:**
- 1/4"-2" per FM1140 for 600psig
- IAPMO:**
- 1/4"-4" per NSF/ANSI-61, NSF/ANSI-372 ,IGC-157

