



ISO9001:2015

## TXSSN SERIES(LFFPBVT SERIES)

Lead Free, Full Port Brass Ball Valves Female NPT \* Female NPT

### FEATURES

- Dezincification Resistant (DZR) Lead Free Brass Material
- Thread Conform ANSI B1.20.1
- Forged Brass Body
- Blow Out Proof Stem Design
- Packing Nut, O-RING & Packing On The Stem Seal
- Stainless Steel Ball
- Handle With Vinyl Grip

### PERFORMANCE RATING

- 600 psi (WOG) 150 psi (WSP) Service
- Temperature Range : -20° F to 300° F



### MATERIAL

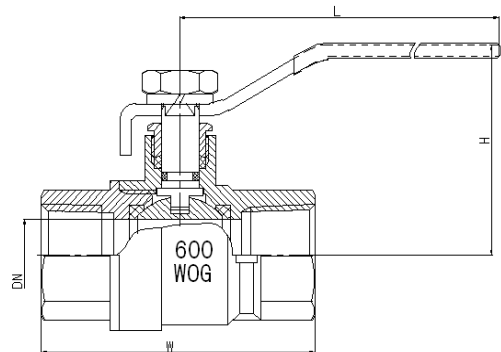
Part Name	Material
Body	Lead Free Brass
Seat	PTFE
Ball	SS304
Stem O-Ring	NBR
Packing Nut	Brass
Stem	Brass (1/4"-2")
	SS304 (2-1/2"-4")
Lock Nut	Ferrum /Zinc Plated
Lock Washer	Ferrum /Zinc Plated
Packing	PTFE
Handle	Ferrum /Chrome Plated
Cap	Lead Free Brass

### DIMENSIONS

Part No.	SIZE	D	L	H	W	Cv	Wt.(lbs.)
TXSSN025	1/4	0.394	3.46	1.68	1.73	8.23	0.306
TXSSN038	3/8	0.394	3.46	1.68	1.73	8.23	0.302
TXSSN050	1/2	0.591	3.46	1.81	2.24	18.55	0.445
TXSSN075	3/4	0.748	4.29	2.09	2.52	29.76	0.750
TXSSN100	1	0.984	4.29	2.25	2.97	51.55	1.140
TXSSN125	1-1/4	1.259	5.63	2.52	3.44	84.42	1.755
TXSSN150	1 1/2	1.574	5.63	2.74	3.88	131.93	2.412
TXSSN200	2	1.949	5.63	3.03	4.29	200.35	3.380
TXSSN250	2 1/2	2.520	7.76	4.25	5.53	338.43	7.030
TXSSN300	3	2.894	8.19	4.58	6.14	445.44	9.656
TXSSN400	4	3.839	9.25	5.49	7.79	783.88	18.305

### APPROVALS

- CSA:**
- 1/4"-4" Per ANSI Z21.15/CSA 9.1 for 1/2 psig
  - 1/4"-4" Per ASME B16.44 /CR91-001 for 5 psig
  - 1/2"-2" Per ASME B16.33 /CGA3.16 for 125 psig
  - 2 1/2"-4" Per ASME B16.38 /CGA3.16 for 125 psig
- UL:**
- 1/4"-2" UL 842 (Guide YRPY YRBX MHKZ )125psig
  - 1/4"-2" UL 125 (Guide YSDT )125psig
- FM:**
- 1/4"-2" Per FM1140 for 600psig
- IAPMO:**
- 1/4"-4" Per NSF/ANSI-61, NSF/ANSI-372 ,IGC-157





ISO9001:2015

## TXSSC SERIES(LFFPBVC SERIES)

Lead Free, Full Port Brass Ball Valves Solder End

### FEATURES

- Dezincification Resistant (DZR) Lead Free Brass Material
- Solder-Joint conform ASME B16.22
- Forged Brass Body
- Blow Out Proof Stem Design
- Packing Nut, O-RING & Packing On The Stem Seal
- Stainless Steel Ball
- Handle With Vinyl Grip



### PERFORMANCE RATING

- 600 psi (WOG) 150 psi (WSP) Service
- Temperature Range : -20° F to 300° F

### MATERIAL

Part Name	Material
Body	Lead Free Brass
Seat	PTFE
Ball	SS304
Stem O-Ring	NBR
Packing Nut	Brass
Stem	Brass (1/2"-2")
	SS304 (2-1/2"-4")
Lock Nut	Ferrum /Zinc Plated
Lock Washer	Ferrum /Zinc Plated
Packing	PTFE
Handle	Ferrum /Chrome Plated
Cap	Lead Free Brass
Body O-Ring	FKM

### DIMENSIONS

Part No.	SIZE	D	L	H	W	D1	**	Cv	Wt.(lbs.)
TXSSC050	1/2	0.591	3.46	1.81	2.17	0.63	0.504	18.55	0.403
TXSSC075	3/4	0.748	4.29	2.09	2.81	0.878	0.748	29.76	0.670
TXSSC100	1	0.984	4.29	2.25	3.34	1.13	0.909	51.55	1.034
TXSSC125	1-1/4	1.259	5.63	2.52	3.91	1.378	0.972	84.42	1.585
TXSSC150	1 1/2	1.574	5.63	2.74	4.46	1.63	1.091	131.93	2.280
TXSSC200	2	1.949	5.63	3.03	5.45	2.13	1.343	200.35	3.481
TXSSC250	2 1/2	2.520	7.76	4.25	6.42	2.63	1.484	338.43	6.715
TXSSC300	3	2.894	8.19	4.58	7.15	3.13	1.669	445.44	8.655
TXSSC400	4	3.839	9.25	5.49	9.57	4.13	2.232	783.88	17.419

### APPROVALS

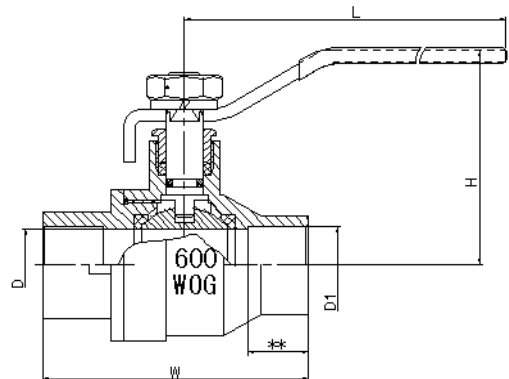
**UL:** ● 1/2"-2" UL 842 (Guide YRPY YRBX MHKZ )125psig

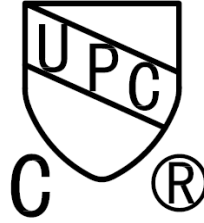
● 1/2"-2" UL 125 (Guide YSDT )125psig

**FM:** ● 1/2"-2" Per FM1140 for 600psig

**IAPMO:** ● 1/2"-4" Per NSF/ANSI-61, NSF/ANSI-372 ,IGC-157

**CSA:** ● 1/2"-4" Per NSF/ANSI-61, NSF/ANSI-372 ,IGC-157





**ISO9001:2015**

## LF-COM SERIES

Lead Free, Full Port Brass Ball Valves Compression Connection

### FEATURES

- Dezincification Resistant (DZR) Lead Free Brass Material
- Compression Connection
- Forged Brass Body
- Blow Out Proof Stem Design
- Packing Nut, O-RING & Packing On The Stem Seal
- Stainless Steel Ball
- Handle With Vinyl Grip

### PERFORMANCE RATING

- 600 psi (WOG) 150 psi (WSP) Service
- Temperature Range : -20° F to 300° F



### MATERIAL

Part Name	Material
Body	Lead Free Brass
Seat	PTFE
Ball	SS304
Stem O-Ring	NBR
Packing Nut	Brass
Stem	Brass
Lock Nut	Ferrum /Zinc Plated
Lock Washer	Ferrum /Zinc Plated
Packing	PTFE
Handle	Ferrum /Chrome Plated
Cap	Lead Free Brass
Copper Nut	Brass
Copper Laps	Brass

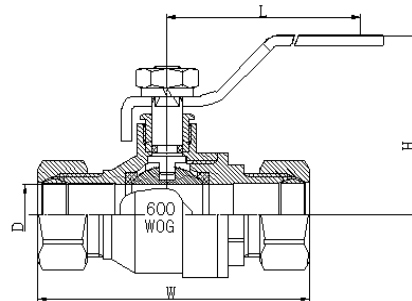
### DIMENSIONS

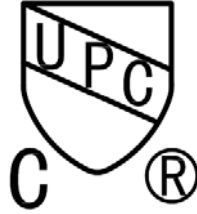
Part No.	SIZE	D	L	H	W	Cv	Wt.(lbs.)
LF-COM050	1/2	0.591	3.46	1.73	2.97	18.55	0.516
LF-COM075	3/4	0.748	4.29	1.89	3.15	29.76	0.915
LF-COM100	1	0.984	4.29	2.14	3.89	51.55	1.263

### APPROVALS

IAPMO: ● 1/2"-1" Per NSF/ANSI-61, NSF/ANSI-372 ,IGC-157

CSA: ● 1/2"-1" Per NSF/ANSI-61, NSF/ANSI-372 ,IGC-157





ISO9001:2015

## LF-3N SERIES

Lead Free, Full Port Brass Ball Valves Female NPT \* Female NPT

### FEATURES

- Dezincification Resistant (DZR) Lead Free Brass Material
- Thread Conform ANSI B1.20.1
- Forged Brass Body
- Blow Out Proof Stem Design
- Packing Nut & Packing On The Stem Seal
- Stainless Steel Ball
- Handle With Vinyl Grip



### PERFORMANCE RATING

- 600 psi (WOG) 150 psi (WSP) Service
- Temperature Range : -20° F to 300° F

### MATERIAL

Part Name	Material
Body	Lead Free Brass
Seat	PTFE
Ball	SS304
Packing Nut	Brass
Stem	Brass
Lock Nut	Ferrum /Zinc Plated
Lock Washer	Ferrum /Zinc Plated
Packing	PTFE
Handle	Ferrum /Chrome Plated
Cap	Lead Free Brass

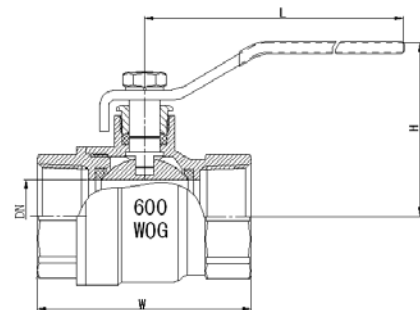
### DIMENSIONS

Part No.	SIZE	D	L	H	W	Cv	Wt.(lbs.)
LF-3N025	1/4	0.394	3.46	1.68	1.73	8.23	0.306
LF-3N038	3/8	0.394	3.46	1.68	1.73	8.23	0.302
LF-3N050	1/2	0.524	3.46	1.73	1.89	14.56	0.337
LF-3N075	3/4	0.748	3.46	1.89	2.28	29.76	0.542
LF-3N100	1	0.984	4.29	2.14	2.80	51.55	0.928
LF-3N125	1-1/4	1.240	4.29	2.32	3.15	81.70	1.312
LF-3N150	1 1/2	1.476	5.63	2.66	3.44	115.89	1.865
LF-3N200	2	1.949	5.63	3.01	4.06	200.34	2.994

### APPROVALS

**IAPMO:** ● 1/4"-2" Per NSF/ANSI-61, NSF/ANSI-372 ,IGC-157

**CSA:** ● 1/4"-2" Per NSF/ANSI-61, NSF/ANSI-372 ,IGC-157





**ISO9001:2015**

## LF-3C SERIES

Lead Free, Full Port Brass Ball Valves Solder End

### FEATURES

- Dezincification Resistant (DZR) Lead Free Brass Material
- Solder-Joint conform ASME B16.22
- Forged Brass Body
- Blow Out Proof Stem Design
- Packing Nut & Packing On The Stem Seal
- Stainless Steel Ball
- Handle With Vinyl Grip

### PERFORMANCE RATING

- 600 psi (WOG) 150 psi (WSP) Service
- Temperature Range : -20° F to 300° F



### MATERIAL

Part Name	Material
Body	Lead Free Brass
Seat	PTFE
Ball	SS304
Packing Nut	Brass
Stem	Brass
Lock Nut	Ferrum /Zinc Plated
Lock Washer	Ferrum /Zinc Plated
Packing	PTFE
Handle	Ferrum /Chrome Plated
Cap	Lead Free Brass
Body O-Ring	FKM

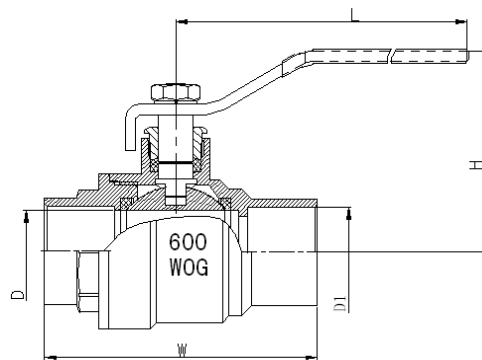
### DIMENSIONS

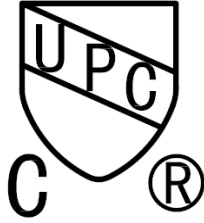
Part No.	SIZE	D	L	H	W	D1	**	Cv	Wt.(lbs.)
LF-3C050	1/2	0.524	3.46	1.73	1.945	0.63	0.504	14.56	0.328
LF-3C075	3/4	0.748	3.46	1.89	2.654	0.878	0.748	29.76	0.509
LF-3C100	1	0.984	4.29	2.14	3.315	1.13	0.909	51.55	0.908
LF-3C125	1-1/4	1.240	4.29	2.32	3.741	1.378	0.972	81.70	1.327
LF-3C150	1 1/2	1.476	5.63	2.66	4.252	1.63	1.091	115.89	1.841
LF-3C200	2	1.949	5.63	3.01	5.276	2.13	1.343	200.34	3.197

### APPROVALS

**IAPMO:** ● 1/2"-2" Per NSF/ANSI-61, NSF/ANSI-372 ,IGC-157

**CSA:** ● 1/2"-2" Per NSF/ANSI-61, NSF/ANSI-372 ,IGC-157





ISO9001:2015

## LF-ND SERIES(LFFPBVWT SERIES)

Lead Free, Full Port Brass Ball Valves Female NPT \* Female NPT With Drain

### FEATURES

- Dezincification Resistant (DZR) Lead Free Brass Material
- Thread Conform ANSI B1.20.1
- Forged Brass Body
- Blow Out Proof Stem Design
- Packing Nut, O-RING & Packing On The Stem Seal
- Stainless Steel Ball
- Handle With Vinyl Grip

### PERFORMANCE RATING

- 600 psi (WOG) 150 psi (WSP) Service
- Temperature Range : -20° F to 300° F

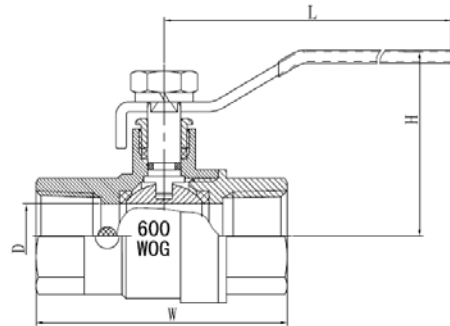


### MATERIAL

Part Name	Material
Body	Lead Free Brass
Seat	PTFE
Ball	SS304
Stem O-Ring	NBR
Packing Nut	Brass
Stem	Brass
Lock Nut	Ferrum /Zinc Plated
Lock Washer	Ferrum /Zinc Plated
Packing	PTFE
Handle	Ferrum /Chrome Plated
Cap	Lead Free Brass
Drain Cap	Brass
Drain Washer	EPDM

### DIMENSIONS

Part No.	SIZE	D	L	H	W	Cv	Wt.(lbs.)
LF-ND050	1/2	0.591	3.46	1.81	2.32	18.55	0.502
LF-ND075	3/4	0.748	4.29	2.09	2.56	29.76	0.784
LF-ND100	1	0.984	4.29	2.25	2.99	51.55	1.183



### APPROVALS

**IAPMO:** ● 1/2"-1" Per NSF/ANSI-61, NSF/ANSI-372 ,IGC-157

**CSA:** ● 1/2"-1" Per NSF/ANSI-61, NSF/ANSI-372 ,IGC-157

# ISO9001:2015

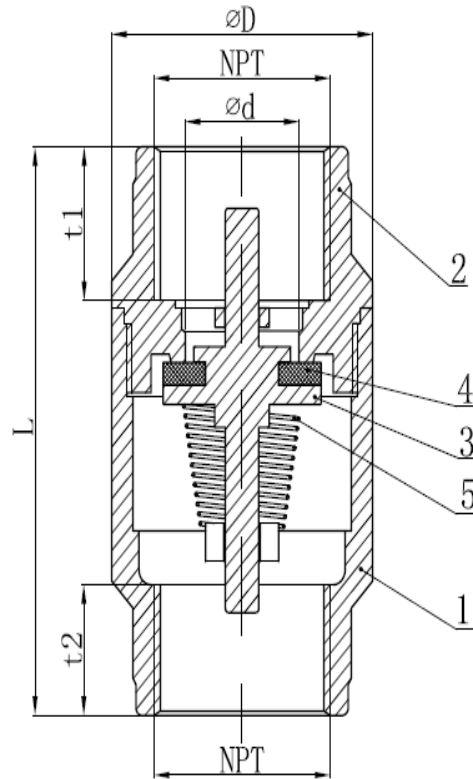
## CVNIL SERIES SPRING CHECK VALVE

### FEATURES

- 200WOG
- Construction: Body in hot pressed brass bar
- ABS max. working temperature 70° C
- Nylon and Brass max. working temperature 110° C
- Opening pressure=0.03bar
- Suitable to install in horizontal vertical or oblique position

### MATERIAL

NO	ITEM	MATERIAL	QTY
5	SPRING	STAINLESS STEEL	1
4	SEAL	EPDM	1
3	CORE	LEAD FREE BRASS	1
2	BONNET	LEAD FREE BRASS	1
1	BODY	LEAD FREE BRASS	1



### DIMENSIONS

Part No.	SIZE	ΦD	L(REF)	Φd	t1	t2
CVNIL	1/2	1.259	2.165	0.610	0.629	0.492
CVNIL	3/4	1.535	2.441	0.768	0.689	0.591
CVNIL	1	1.803	2.559	0.984	0.748	0.610
CVNIL	1-1/4	2.303	2.854	1.299	0.827	0.748
CVNIL	1-1/2	2.559	3.071	1.417	0.846	0.709
CVNIL	2	3.169	3.421	1.693	0.913	0.756
CVNIL	2-1/2	4.055	3.425	2.736	0.787	0.748
CVNIL	3	4.744	3.937	2.736	0.787	0.866

# ISO9001:2015

## CVPIL SERIES

### CHECK VALVE WITH PRESS CONNECTION

#### FEATURES

- 200WOG
- Construction: Body in hot pressed brass bar
- ABS max. working temperature 70° C
- Nylon and Brass max. working temperature 110° C
- Opening pressure=0.03bar
- Suitable to install in horizontal vertical or oblique position

#### DIMENSIONS

Part No.	SIZE	ΦD	L(REF)	Φd
PRESS	1/2	1.259	3.307	0.61
PRESS	3/4	1.535	3.681	0.77
PRESS	1	1.803	3.897	0.98
PRESS	1-1/4	2.303	4.213	1.30
PRESS	1-1/2	2.559	4.744	1.417
PRESS	2	3.169	5.468	1.693
PRESS	2-1/2	4.055	5.629	2.736
PRESS	3	4.744	6.24	2.736

#### MATERIAL

NO	ITEM	MATERIAL	QTY
7	CAP	LEAD FREE BRASS	2
6	O-RING	EPDM	2
5	SPRING	STAINLESS STEEL	1
4	SEAL	EPDM	1
3	CORE	LEAD FREE BRASS	1
2	BONNET	LEAD FREE BRASS	1
1	BODY	LEAD FREE BRASS	1

