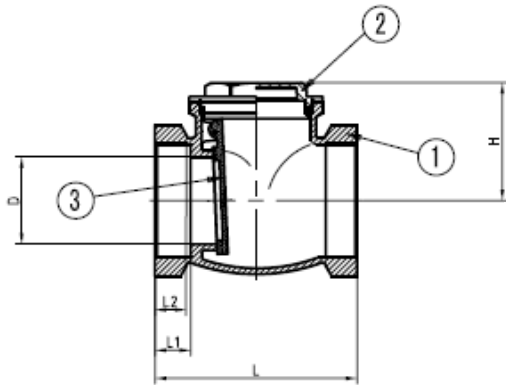


NO LEAD BRASS

CHECK VALVE

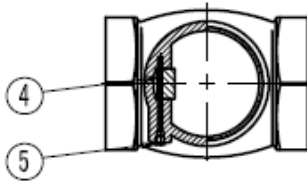
Features:

- Lead free brass material
- Meet NSF approved low lead standard



Material Specifications

No.	Description	Material
1	Body	Lead Free Brass
2	Bonnet	Lead Free Brass
3	Disc	Lead Free Brass
4	Pin	S.S
5	Nut	H62



Dimensions are in millimeter:

Part No.	Size	D	H	L	L1	L2
LFCVT1/2	1/2"	Φ13	34	52.5	14	12.5
LFCVT3/4	3/4"	Φ18	37.5	60.5	16.5	14
LFCVT1	1"	Φ23.5	42.7	74	18	16
LFCVT11/4	1-1/4"	Φ31	52.3	82.5	21	18.5
LFCVT11/2	1-1/2"	Φ38	57.7	96.5	22	20
LFCVT2	2"	Φ44	67.7	109	23.5	22

Working pressure

Working Pressure Non-Shock (psi)
Cold Water, Oil, Gas
200



Part No.
LFCVT1/2 to LFCVT2
1/2"-2"
Threaded

NSF/ANSI 61

