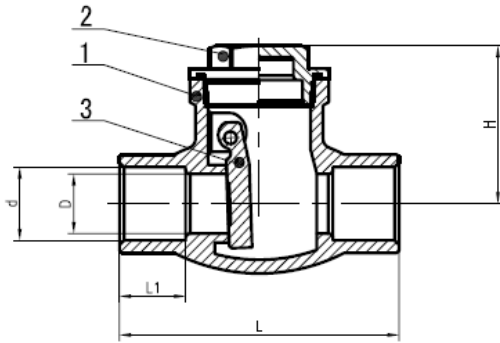


NO LEAD BRASS

CHECK VALVE

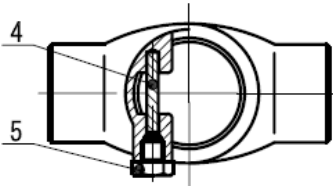
Features:

- Lead free brass material
- Meet NSF approved low lead standard



Material Specifications

No.	Description	Material
1	Body	Lead Free Brass
2	Bonnet	Lead Free Brass
3	Disc	Lead Free Brass
4	Pin	S.S
5	Nut	H62



Dimensions are in millimeter:

Part No.	Size	D	H	L	L1	d
LFCVC1/2	1/2"	Φ 13	34	58	14.5	Φ 16 +0.03/-0.06
LFCVC3/4	3/4"	Φ 18	37.5	77	18.5	Φ 22.3 +0.08/-0.01
LFCVC1	1"	Φ 23	42.7	85	23	Φ 28.7 +0.04/-0.05
LFCVC11/4	1-1/4"	Φ 32	52.3	108.7	24.5	Φ 35 +0.09/0
LFCVC11/2	1-1/2"	Φ 37.5	57.7	120.6	28	Φ 41.4 +0.06/-0.04
LFCVC2	2"	Φ 44	67.7	137.5	36	Φ 54 +0.17/+0.06

Working pressure

Working Pressure Non-Shock (psi)
Cold Water, Oil, Gas
200



Part No.
LFCVC1/2 to LFCVC2
1/2"-2"
Solder

NSF/ANSI 61

