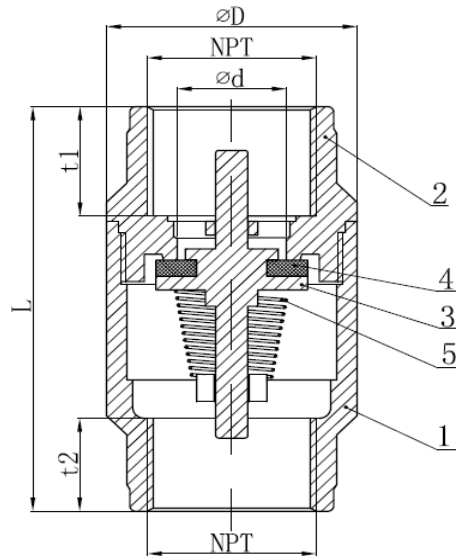


ISO9001:2015

CVNIL SERIES SPRING CHECK VALVE

FEATURES

- 200WOG
- Construction: Body in hot pressed brass bar
- ABS max. working temperature 70° C
- Nylon and Brass max. working temperature 110° C
- Opening pressure=0.03bar
- Suitable to install in horizontal vertical or oblique position



MATERIAL

NO	ITEM	MATERIAL	QTY
5	SPRING	STAINLESS STEEL	1
4	SEAL	EPDM	1
3	CORE	LEAD FREE BRASS	1
2	BONNET	LEAD FREE BRASS	1
1	BODY	LEAD FREE BRASS	1

DIMENSIONS

Part No.	SIZE	ΦD	L(REF)	Φd	t1	t2
CVNIL	1/2	1.259	2.165	0.610	0.629	0.492
CVNIL	3/4	1.535	2.441	0.768	0.689	0.591
CVNIL	1	1.803	2.559	0.984	0.748	0.610
CVNIL	1-1/4	2.303	2.854	1.299	0.827	0.748
CVNIL	1-1/2	2.559	3.071	1.417	0.846	0.709
CVNIL	2	3.169	3.421	1.693	0.913	0.756
CVNIL	2-1/2	4.055	3.425	2.736	0.787	0.748
CVNIL	3	4.744	3.937	2.736	0.787	0.866

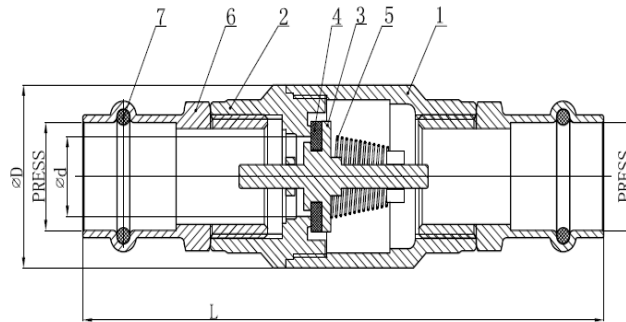
ISO9001:2015

CVPIL SERIES

CHECK VALVE WITH PRESS CONNECTION

FEATURES

- 200WOG
- Construction: Body in hot pressed brass bar
- ABS max. working temperature 70° C
- Nylon and Brass max. working temperature 110° C
- Opening pressure=0.03bar
- Suitable to install in horizontal vertical or oblique position



MATERIAL

NO	ITEM	MATERIAL	QTY
7	CAP	LEAD FREE BRASS	2
6	O-RING	EPDM	2
5	SPRING	STAINLESS STEEL	1
4	SEAL	EPDM	1
3	CORE	LEAD FREE BRASS	1
2	BONNET	LEAD FREE BRASS	1
1	BODY	LEAD FREE BRASS	1

DIMENSIONS

Part No.	SIZE	ΦD	L(REF)	Φd
PRESS	1/2	1.259	3.307	0.61
PRESS	3/4	1.535	3.681	0.77
PRESS	1	1.803	3.897	0.98
PRESS	1-1/4	2.303	4.213	1.30
PRESS	1-1/2	2.559	4.744	1.417
PRESS	2	3.169	5.468	1.693
PRESS	2-1/2	4.055	5.629	2.736
PRESS	3	4.744	6.24	2.736