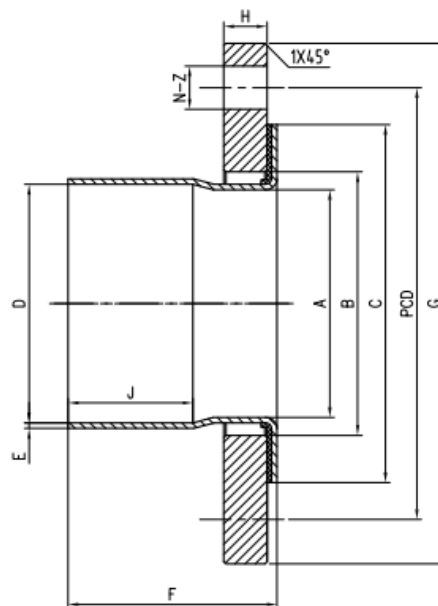


KSD Connections Copper Pipe Companion Flange 150# Adaptor

Flange drilling dimensions to ANSI B16.5

Size	A	B	C	D	E	F	G	H	N	Z	PCD	J
2"	2.012	2.421	3.697	2.130	0.059	2.63	5.980	0.630	4	0.748	4.760	1.339
2.5"	2.496	3.051	4.201	2.631	0.067	2.79	7.008	0.630	4	0.748	5.512	1.496
3"	2.980	3.563	5.000	3.131	0.075	3.12	7.520	0.630	4	0.748	5.980	1.661
4"	3.941	4.567	6.201	4.130	0.094	3.62	9.020	0.752	8	0.748	7.480	2.161
5"	4.913	5.571	7.299	5.131	0.110	3.82	10.000	0.752	8	0.866	8.500	2.661
6"	5.882	6.713	8.402	6.131	0.126	4.27	10.984	0.866	8	0.866	9.488	3.091



New Jersey
Distribution Center
500 Green Street
Woodbridge, NJ 07095

Illinois
Distribution Center
2101 Dralle Road
University Park, IL 61727

Ohio
Distribution Center
Central Ohio Ind. Park Bldg. 3
Shelby, OH 44875

Kansas City
Distribution Center
6530 Winner Road
Kansas City, MO 64125

Georgia
Distribution Center
255 Marvin Miller Drive SW
Atlanta, GA 30336

N. Carolina
Distribution Center
4742 Highway 704
Madison, NC 27025

Texas
Distribution Center
111 E. Lampasas St
Ennis, Texas 75119

California
Distribution Center
1245 N.5th Street
San Jose, CA 95112