



ISO9001:2015

TXN SERIES

Full Port Brass Ball Valves Female * Female

FEATURES

- Thread Conform ANSI B1.20.1
- Forged Brass Body
- Blow Out Proof Stem Design
- Packing Nut, O-RING & Packing On The Stem Seal
- Stainless Steel Ball
- Handle With Vinyl Grip



PERFORMANCE RATING

- 600 psi (WOG) 150 psi (WSP) Service
- Temperature Range : -20° F to 300° F

MATERIAL

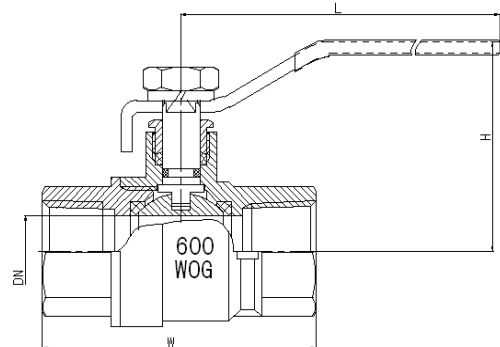
Part Name	Material
Body	Brass
Seat	PTFE
Ball	Chrome Plated Brass
Stem O-Ring	NBR
Packing Nut	Brass
Stem	Brass (1/4"-2") SS304(2-1/2"-4")
Lock Nut	Ferrum /Zinc Plated
Lock Washer	Ferrum /Zinc Plated
Packing	PTFE
Handle	Ferrum /Chrome Plated
Cap	Brass

DIMENSIONS

Part No.	SIZE	D	L	H	W	Wt.(lbs.)
TXN025	1/4	0.394	3.46	1.68	1.73	
TXN038	3/8	0.394	3.46	1.68	1.73	
TXN050	1/2	0.591	3.46	1.81	2.24	
TXN075	3/4	0.748	4.29	2.09	2.52	
TXN100	1	0.984	4.29	2.25	2.97	
TXN125	1-1/4	1.259	5.63	2.52	3.44	
TXN150	1 1/2	1.574	5.63	2.74	3.88	
TXN200	2	1.949	5.63	3.03	4.29	
TXN250	2 1/2	2.520	7.76	4.25	5.53	
TXN300	3	2.894	8.19	4.58	6.14	
TXN400	4	3.839	9.25	5.49	7.79	

APPROVALS

- CSA:**
- 1/4"-4" Per ANSI Z21.15/CSA 9.1 for 1/2 psig
 - 1/4"-4" Per ASME B16.44 /CR91-001 for 5 psig
 - 1/2"-2" Per ASME B16.33 /CGA3.16 for 125 psig
 - 2 1/2"-4" Per ASME B16.38 /CGA3.16 for 125 psig
- UL:**
- 1/4"-2" UL 842 (Guide YRPY YRBX MHKZ)125psig
 - 1/4"-2" UL 125 (Guide YSDT)125psig
- FM:**
- 1/4"-2" per FM1140 for 600psig





ISO9001:2015

TXC SERIES

Full Port Brass Ball Valves Solder End

FEATURES

- Solder-Joint conform ASME B16.22
- Forged Brass Body
- Blow Out Proof Stem Design
- Packing Nut, O-RING & Packing On The Stem Seal
- Stainless Steel Ball
- Handle With Vinyl Grip



PERFORMANCE RATING

- 600 psi (WOG) 150 psi (WSP) Service
- Temperature Range : -20° F to 300° F

MATERIAL

Part Name	Material
Body	Brass
Seat	PTFE
Ball	Chrome Plated Brass
Stem O-Ring	NBR
Packing Nut	Brass
Stem	Brass (1/2"-2") SS304 (2-1/2"-4")
Lock Nut	Ferrum /Zinc Plated
Lock Washer	Ferrum /Zinc Plated
Packing	PTFE
Handle	Ferrum /Chrome Plated
Cap	Brass
Body O-Ring	FKM

DIMENSIONS

Part No.	SIZE	D	L	H	W	D1	**	Wt.(lbs.)
TXC050	1/2	0.591	3.46	1.81	2.17	0.63	0.504	
TXC075	3/4	0.748	4.29	2.09	2.81	0.878	0.748	
TXC100	1	0.984	4.29	2.25	3.34	1.13	0.909	
TXC125	1-1/4	1.259	5.63	2.52	3.91	1.378	0.972	
TXC150	1 1/2	1.574	5.63	2.74	4.46	1.63	1.091	
TXC200	2	1.949	5.63	3.03	5.45	2.13	1.343	
TXC250	2 1/2	2.520	7.76	4.25	6.42	2.63	1.484	
TXC300	3	2.894	8.19	4.58	7.15	3.13	1.669	
TXC400	4	3.839	9.25	5.49	9.57	4.13	2.232	

APPROVALS

- UL:**
- 1/2"-2" UL 842 (Guide YRPY YRBX MHKZ)125psig
 - 1/2"-2" UL 125 (Guide YSDT)125psig
- FM:**
- 1/2"-2" per FM1140 for 600psig
- CSA:**
- 1/2"-1" per ASME A118.18.1,CSA B125.1

